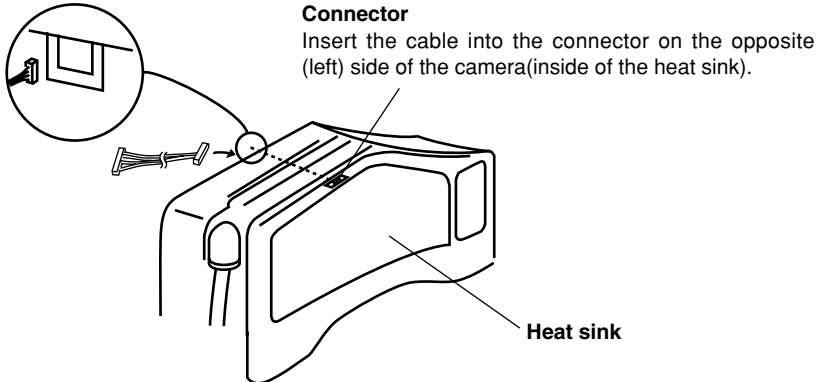


Down Converter Board

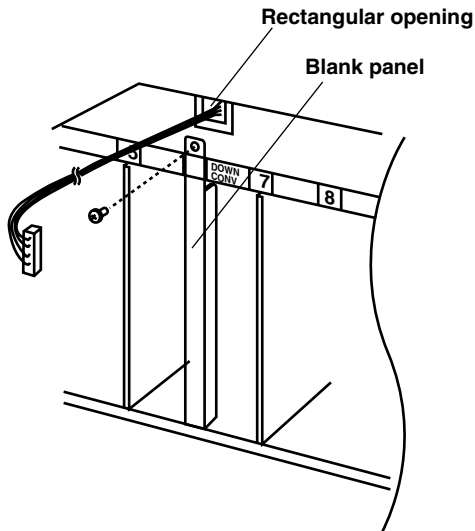
Model No. AK-HDC931P

Installing the board in a Multi-Format Camera

- 1 Remove the left and right side panels on the Multi-Format Camera (AK-HC931P).



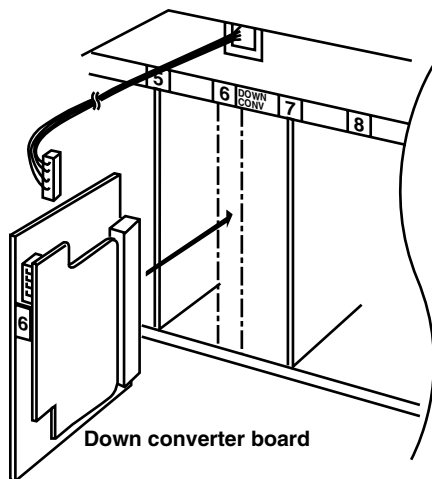
- 2 Remove the blank panel (right side of camera), then feed the cable (supplied with the board) through the rectangular opening under the top panel and insert it into the connector on the opposite side.



CAUTION:

These servicing instructions are for use by qualified service personnel only. To reduce the risk of electric shock do not perform any servicing other than that contained in the operating instructions unless you are qualified to do so.

- ③ Insert this board (down converter unit) into slot 6 of the camera's circuit board.



- ④ Insert the other end of the cable into the connector on the board itself.

